



STAINLESS STEEL WORKTABLES

TF3-SERIES— WORKTABLE W/ REAR TURN-UP & UNDERSHELF

PROJECT#: _____

ITEM# _____

MODEL# _____

ECONOMY - ETF3 - SERIES

24" WIDE	QTY	30" WIDE	QTY	36" WIDE	QTY	LENGTH (INCHES)
ETF3-2424		ETF3-3024		ETF3-3624		24
ETF3-2430		ETF3-3030		ETF3-3630		30
ETF3-2436		ETF3-3036		ETF3-3636		36
ETF3-2442		ETF3-3042		ETF3-3642		42
ETF3-2448		ETF3-3048		ETF3-3648		48
ETF3-2454		ETF3-3054		ETF3-3654		54
ETF3-2460		ETF3-3060		ETF3-3660		60
ETF3-2466		ETF3-3066		ETF3-3666		66
ETF3-2472		ETF3-3072		ETF3-3672		72
ETF3-2478		ETF3-3078		ETF3-3678		78
ETF3-2484		ETF3-3084		ETF3-3684		84
ETF3-2490		ETF3-3090		ETF3-3690		90
ETF3-2496		ETF3-3096		ETF3-3696		96
ETF3-24102		ETF3-30102		ETF3-36102		102
ETF3-24108		ETF3-30108		ETF3-36108		108
ETF3-24114		ETF3-30114		ETF3-36114		114
ETF3-24120		ETF3-30120		ETF3-36120		120

STANDARD - STF3 - SERIES

24" WIDE	QTY	30" WIDE	QTY	36" WIDE	QTY	LENGTH (INCHES)
STF3-2424		STF3-3024		STF3-3624		24
STF3-2430		STF3-3030		STF3-3630		30
STF3-2436		STF3-3036		STF3-3636		36
STF3-2442		STF3-3042		STF3-3642		42
STF3-2448		STF3-3048		STF3-3648		48
STF3-2454		STF3-3054		STF3-3654		54
STF3-2460		STF3-3060		STF3-3660		60
STF3-2466		STF3-3066		STF3-3666		66
STF3-2472		STF3-3072		STF3-3672		72
STF3-2478		STF3-3078		STF3-3678		78
STF3-2484		STF3-3084		STF3-3684		84
STF3-2490		STF3-3090		STF3-3690		90
STF3-2496		STF3-3096		STF3-3696		96
STF3-24102		STF3-30102		STF3-36102		102
STF3-24108		STF3-30108		STF3-36108		108
STF3-24114		STF3-30114		STF3-36114		114
STF3-24120		STF3-30120		STF3-36120		120

HEAVY DUTY - HTF3 - SERIES

24" WIDE	QTY	30" WIDE	QTY	36" WIDE	QTY	LENGTH (INCHES)
HTF3-2424		HTF3-3024		HTF3-3624		24
HTF3-2430		HTF3-3030		HTF3-3630		30
HTF3-2436		HTF3-3036		HTF3-3636		36
HTF3-2442		HTF3-3042		HTF3-3642		42
HTF3-2448		HTF3-3048		HTF3-3648		48
HTF3-2454		HTF3-3054		HTF3-3654		54
HTF3-2460		HTF3-3060		HTF3-3660		60
HTF3-2466		HTF3-3066		HTF3-3666		66
HTF3-2472		HTF3-3072		HTF3-3672		72
HTF3-2478		HTF3-3078		HTF3-3678		78
HTF3-2484		HTF3-3084		HTF3-3684		84
HTF3-2490		HTF3-3090		HTF3-3690		90
HTF3-2496		HTF3-3096		HTF3-3696		96
HTF3-24102		HTF3-30102		HTF3-36102		102
HTF3-24108		HTF3-30108		HTF3-36108		108
HTF3-24114		HTF3-30114		HTF3-36114		114
HTF3-24120		HTF3-30120		HTF3-36120		120

SPECIFICATIONS:

ECONOMY— ETF3-Series: 400 Series Stainless Top & 400 Series Stainless Undershelf

TOP: 16 GA.
400 Series Stainless

SHELF: 18 GA.
400 Series Stainless

LEGS: 1 5/8" Diameter
Tubular Stainless Steel

REINFORCING: Formed Channel Fastened to
Top. Legs Welded to Channel

STANDARD— STF3-Series: 300 Series Stainless Top & 300 Series Stainless Undershelf

TOP: 16 GA.
300 Series Stainless

SHELF: 18 GA.
300 Series Stainless

LEGS: 1 5/8" Diameter
Tubular Stainless Steel

REINFORCING: Formed Channel Fastened to
Top. Legs Welded to Channel

HEAVY DUTY— HTF3-Series: 300 Series Stainless Top & 300 Series Stainless Undershelf

TOP: 14 GA.
300 Series Stainless

SHELF: 16 GA.
300 Series Stainless

LEGS: 1 5/8" Diameter
Tubular Stainless Steel

REINFORCING: Formed Channel Fastened to
Top. Legs Welded to Channel

CONSTRUCTION:

- ◆ All Table Connection Points Fully Welded for Maximum Rigidity and Long Life
- ◆ S/S Adjustable Bullet Feet
- ◆ Sound Deadening Between Top and Reinforcing Channel
- ◆ S/S Undershelf Welded to Legs
- ◆ Table is Polished to #3 Finish
- ◆ Working Height 35" to 36 1/4"



○ Amtekco Industries - Columbus, OH —Phone: (800) 336-4677

○ N. Wasserstrom & Sons - Columbus, OH —Phone: (800) 444-4697

○ DCS IV - Peoria, AZ—Phone: (800) 592-3274

○ GEN III - Fountain Inn, SC—Phone: (800)673-3339

○ GKS - Garland, TX—Phone (972) 485-4579

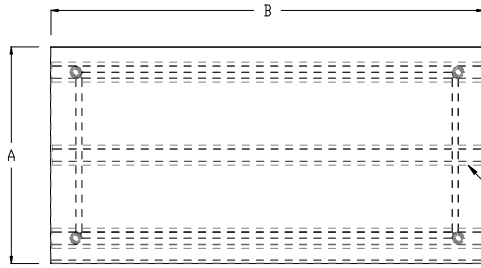
SPECIFICATIONS SUBJECT TO CHANGE WITHOUT NOTICE 01/09

STAINLESS STEEL WORKTABLES TF3-SERIES— WORKTABLE W/ REAR TURN-UP & UNDERSHELF

PROJECT#: _____

ITEM# _____

MODEL# _____

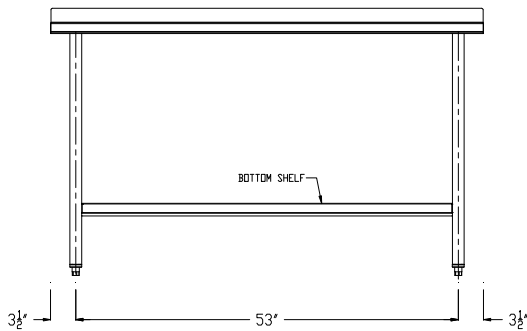


PLAN VIEW

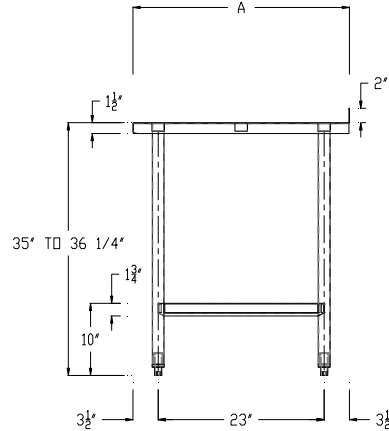
THIRD REINFORCING CHANNEL
APPLIED ON TABLES 30" OR
WIDER



- ◆ 35" Working Height is with Adj. Bullet Feet in Shortest Position
- ◆ Tables At or Above 78" Will Require (3) Sets of Legs.



ELEVATION



SIDE VIEW

A WIDTH	B LENGTH	ETF3 - SERIES 16 GA. 400 SERIES S/S TOP & 18 GA. 400 SERIES S/S UNDERSHELF	STF3 - SERIES 16 GA. 300 SERIES S/S TOP & 18 GA. 300 SERIES S/S UNDERSHELF	HTF3 - SERIES 14 GA. 300 SERIES S/S TOP & 16 GA. 300 SERIES S/S UNDERSHELF	#Of Legs	Product Weight (lbs)
24" WIDE						
24	24	ETF3-2424	STF3-2424	HTF3-2424	4	42
24	30	ETF3-2430	STF3-2430	HTF3-2430	4	45
24	36	ETF3-2436	STF3-2436	HTF3-2436	4	50
24	48	ETF3-2448	STF3-2448	HTF3-2448	4	61
24	60	ETF3-2460	STF3-2460	HTF3-2460	4	71
24	72	ETF3-2472	STF3-2472	HTF3-2472	4	82
24	84	ETF3-2484	STF3-2484	HTF3-2484	6	94
24	96	ETF3-2496	STF3-2496	HTF3-2496	6	114
24	108	ETF3-24108	STF3-24108	HTF3-24108	6	131
24	120	ETF3-24120	STF3-24120	HTF3-24120	6	148
30" WIDE						
30	24	ETF3-3024	STF3-3024	HTF3-3024	4	45
30	30	ETF3-3030	STF3-3030	HTF3-3030	4	49
30	36	ETF3-3036	STF3-3036	HTF3-3036	4	52
30	48	ETF3-3048	STF3-3048	HTF3-3048	4	68
30	60	ETF3-3060	STF3-3060	HTF3-3060	4	79
30	72	ETF3-3072	STF3-3072	HTF3-3072	4	92
30	84	ETF3-3084	STF3-3084	HTF3-3084	6	105
30	96	ETF3-3096	STF3-3096	HTF3-3096	6	126
30	108	ETF3-30108	STF3-30108	HTF3-30108	6	146
30	120	ETF3-30120	STF3-30120	HTF3-30120	6	165
36" WIDE						
36	24	ETF3-3624	STF3-3624	HTF3-3624	4	47
36	30	ETF3-3630	STF3-3630	HTF3-3630	4	55
36	36	ETF3-3636	STF3-3636	HTF3-3636	4	64
36	48	ETF3-3648	STF3-3648	HTF3-3648	4	75
36	60	ETF3-3660	STF3-3660	HTF3-3660	4	88
36	72	ETF3-3672	STF3-3672	HTF3-3672	4	104
36	84	ETF3-3684	STF3-3684	HTF3-3684	6	120
36	96	ETF3-3696	STF3-3696	HTF3-3696	6	139
36	108	ETF3-36108	STF3-36108	HTF3-36108	6	164
36	120	ETF3-36120	STF3-36120	HTF3-36120	6	188